

# BASKA

**Focus on Transmission Field Over 30 Years**  
**Global Innovative Hydraulic Spring Coupling**  
**More Reliable More Efficient**

**BASKA** Let power transmit smoothly!



Baska is a professional equipment manufacturer in both hydraulic transmission and mechanical transmission fields, and provides integrated solutions for multi-series power transmission systems.

Baska products are facing mining, chemical, steel, electricity, cement, metallurgy, port, shipbuilding, papermaking, special slurry industries and etc. Beijing Baska has acquired many national patent, and passed several domestic and international authority certifications, including ISO international quality certificate, France BV certificate, Germany TUV certificate, safety certificate for coal mining products.



Cement



Port



Chemical



Metallurgy



Electricity



Steel

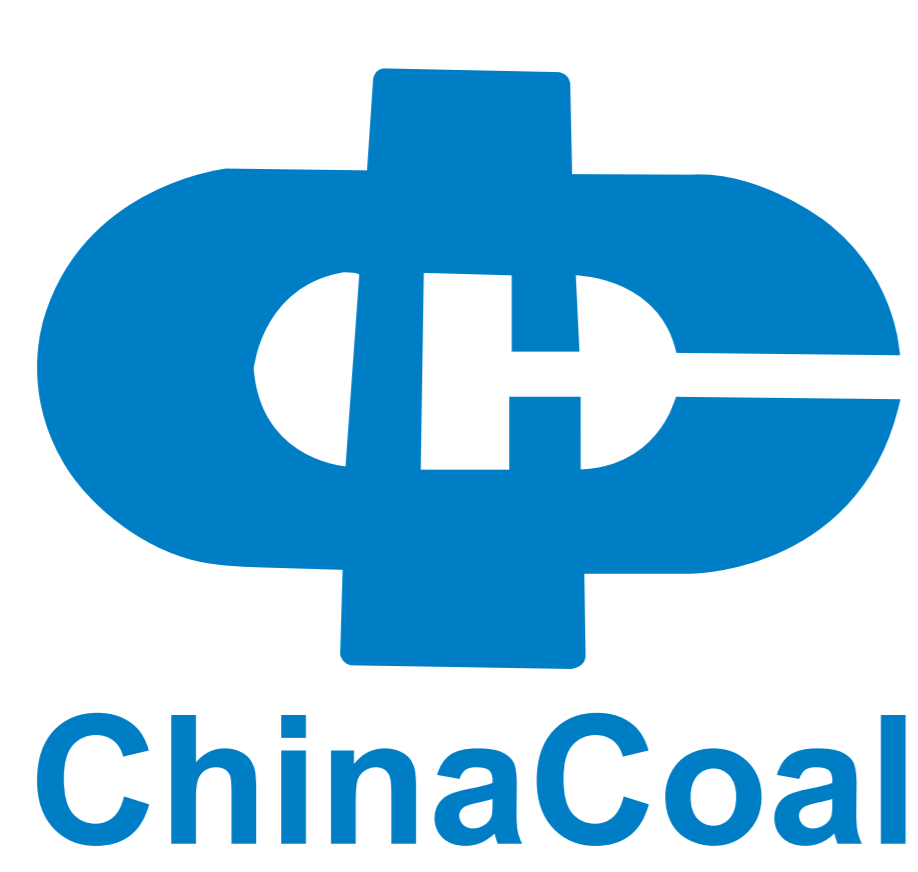
Beijing Baska Technology Co., Ltd.

# BASKA

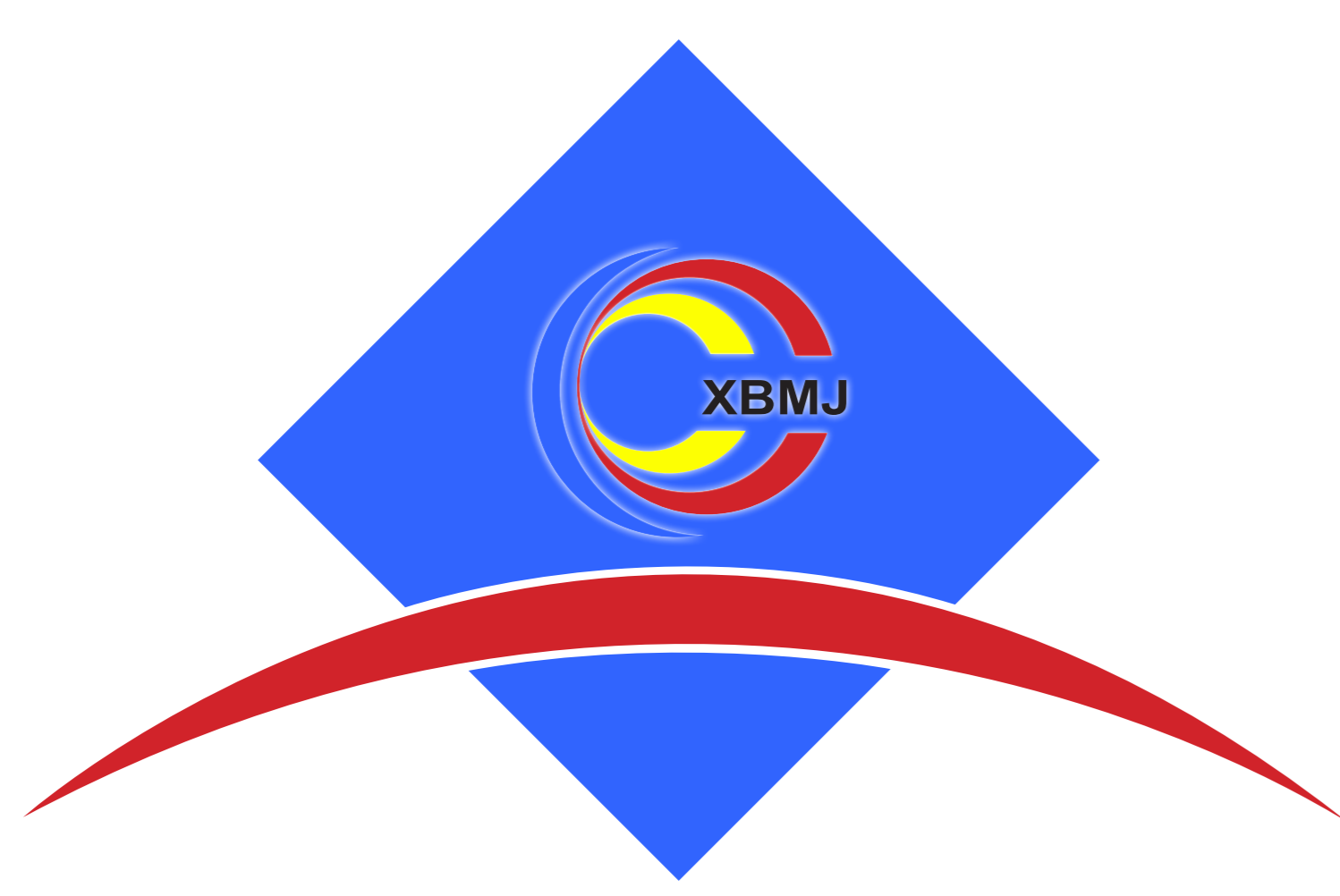
## Cooperation



中国神华  
CHINA SHENHUA



中国中煤能源集团有限公司



宁夏天地西北煤机有限公司

Ningxia Tiandi northwest coal machine limited company



上海科大重工集团有限公司

Shanghai Keda Heavy Industry Group Co.,Ltd.



兖矿集团  
YANKUANG GROUP



同煤集团  
DATONG COAL MINE GROUP



内蒙古伊泰集团有限公司

INNER MONGOLIA YITAL GROUP CO.,LTD



中国华电集团有限公司

CHINA HUADIAN CORPORATION LTD

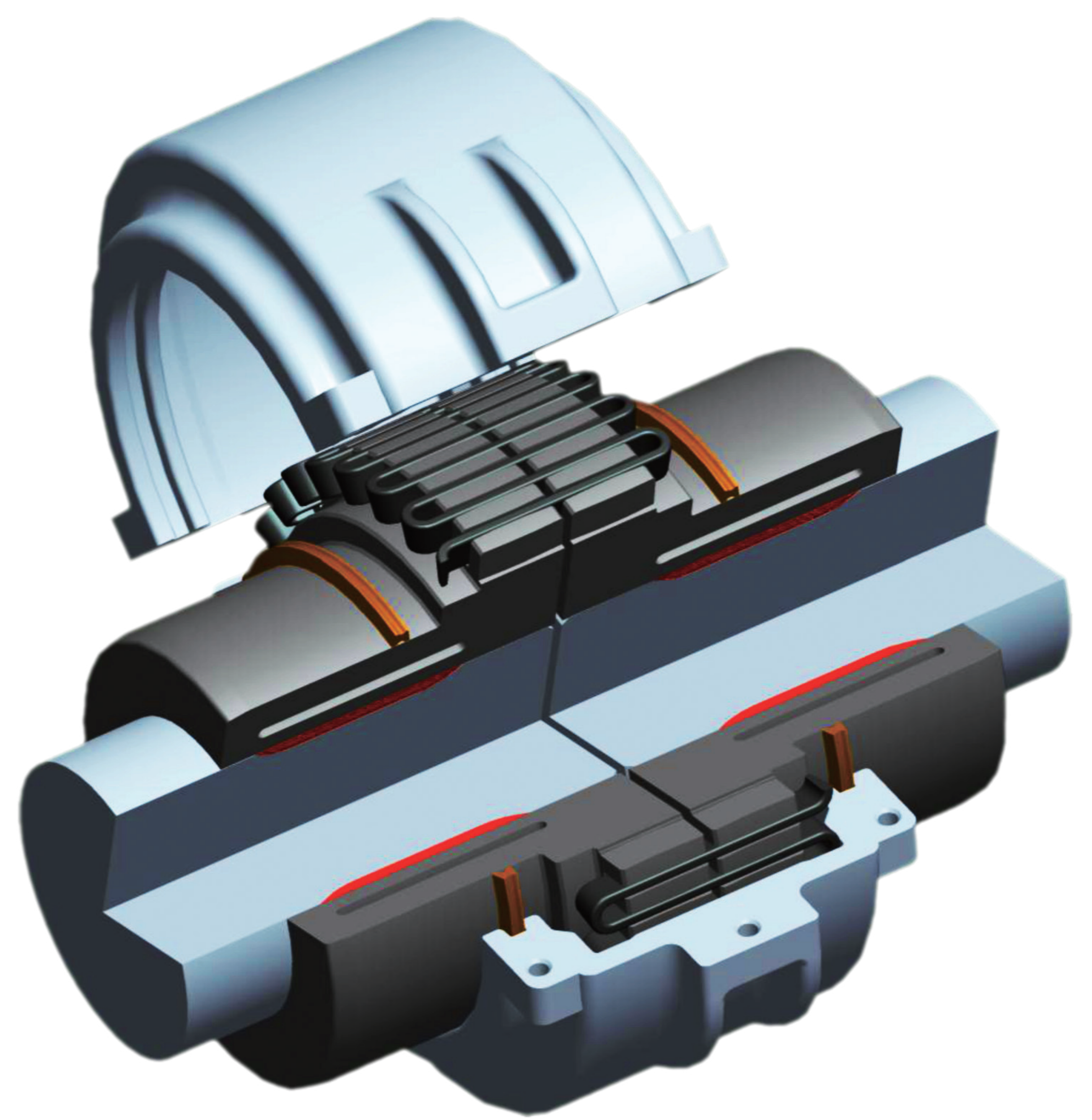
# BASKA



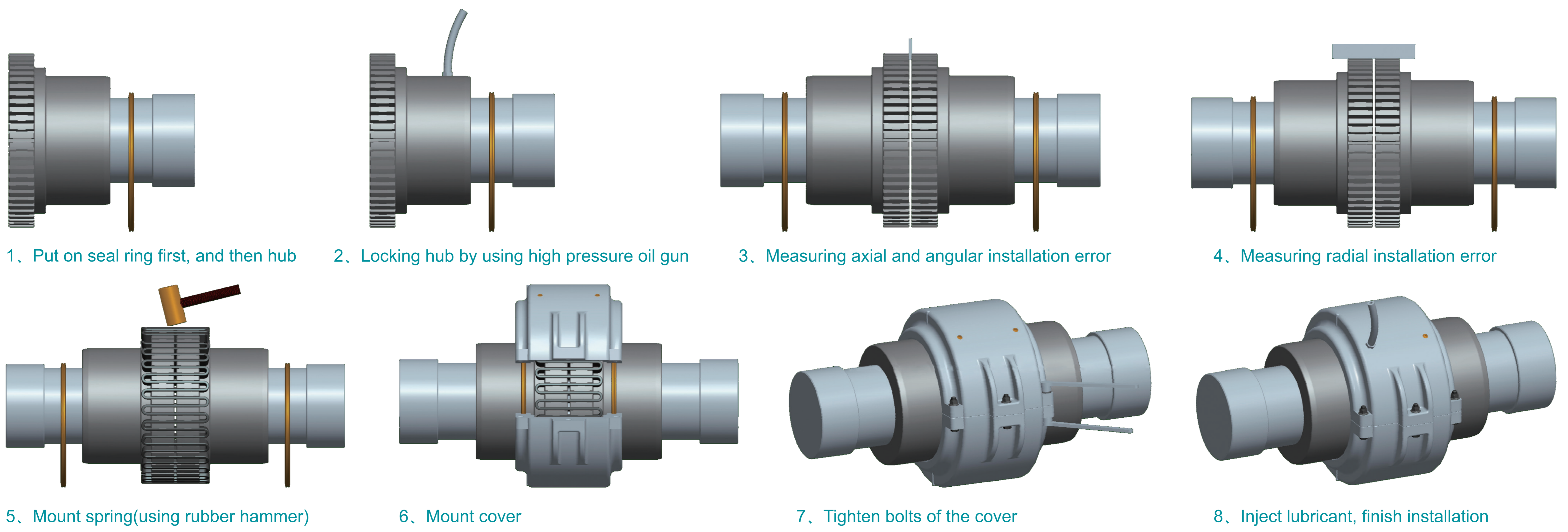
## Hydraulic Spring Coupling

### Performance Advantage:

- ◆ Superior Cushion Performance
- ◆ Long Service Life
- ◆ Quick Installation and Easy Maintenance
- ◆ Professional Design and Various Types
- ◆ High Safety Level
- ◆ Low installation requirements
- ◆ Low Lifetime Operating Cost



### Installation Procedure for Hydraulic Spring Coupling



## Backstop

### Performance advantage:

- ◆ Easy Installation
- ◆ Reliable Lubrication
- ◆ Longer Service Life

